

# Hera M100

Range Hood Control Unit

## USER MANUAL



---

Manufacturer:

Phone:

Fax:

E-Mail:

Web:

Document Version:

Hardware Version:

Yazılım Versiyonu:

---

# TABLE OF CONTENTS

---

## 1. GENERAL FEATURES

- 1.1. Product Specifications ..... 4
- 1.2. Buttons and Their Functions ..... 5

## 2. USAGE OF COOKER HOOD ..... 6

## 3. USAGE OF LIGHT ..... 6

## 4. 3D BOARD CASE VISUALS ..... 7

## 5. ELECTRICAL WIRING DIAGRAM ..... 8

# 1. GENERAL FEATURES

---

Hera M100 is a touch controlled, user-friendly cooker hood control unit.

This control unit stands out with its convenience and simple design.

## 1.1. Product Specifications

- Touch buttons with LED indicator
- 3 level settings
- Supply voltage 230V-50/60 Hz

## 1.2. Buttons and Their Functions



Turns on/off the light



Runs the hood motor at low level



Runs the hood motor at medium level



Runs the hood motor at high level

## 2. USAGE of COOKER HOOD

---

To operate the hood manually, the hood is operated by pressing one of the “ 1 ”, “ 2 ” or “ 3 ” buttons according to the desired traction power level. For the lowest level “ 1 ”, for medium level “ 2 ”, for high level “ 3 ” button is used. At which level the hood is operating, the indicator led of that level button stays on. In order to pass from one level to the next, the button of the level you want to pass is pressed. To turn off the hood, the level button is pressed at which level it is operating.

## 3. USAGE of LIGHT

---

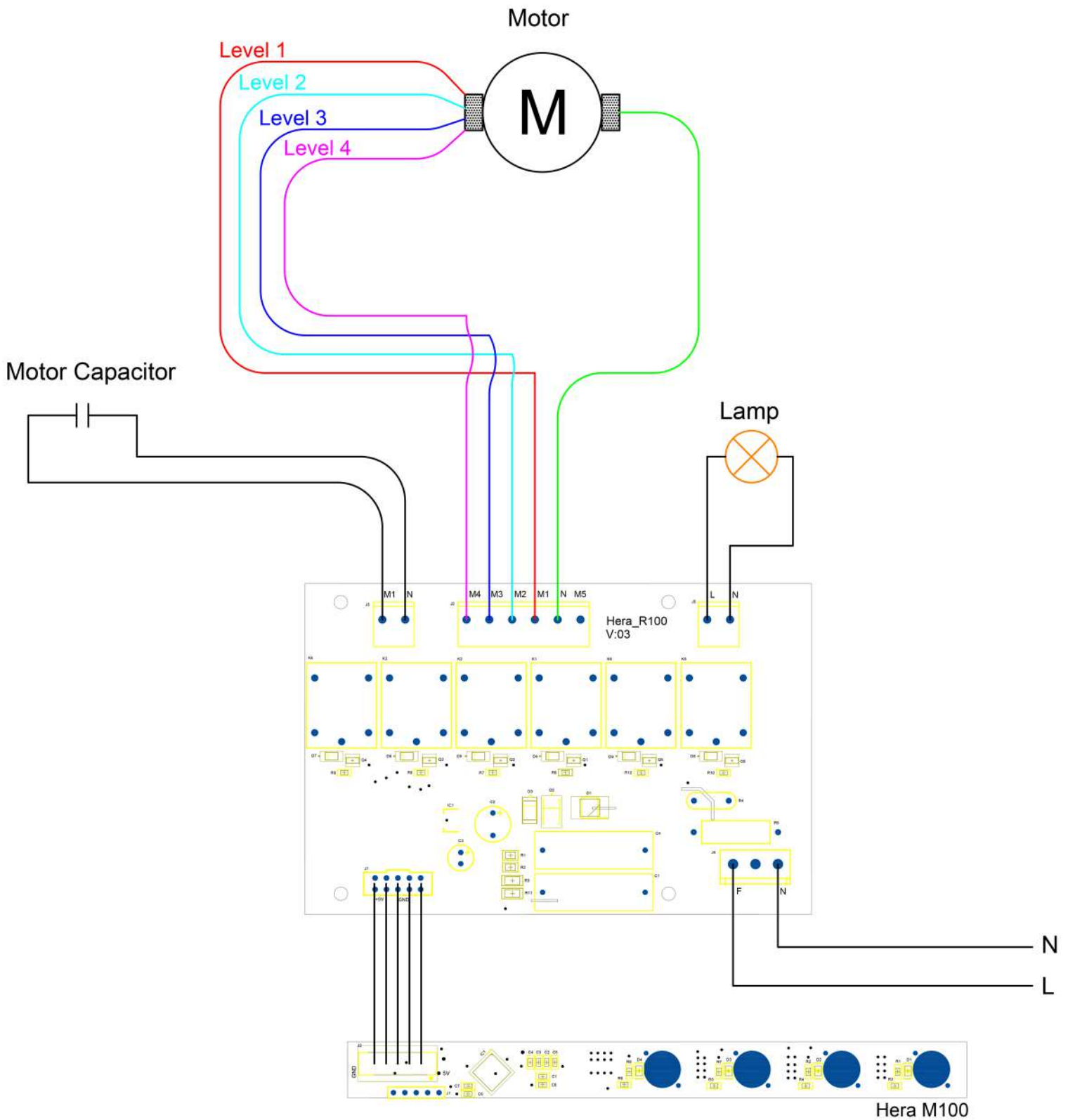
The hood lighting lamp can be switched on and off independently of the use of the hood. To turn the lighting lamp on or off, the “  ” button is pressed while the hood is running or not. The light indicator led also stays on when the light is on.

## 4. 3D BOARD VISUALS

---



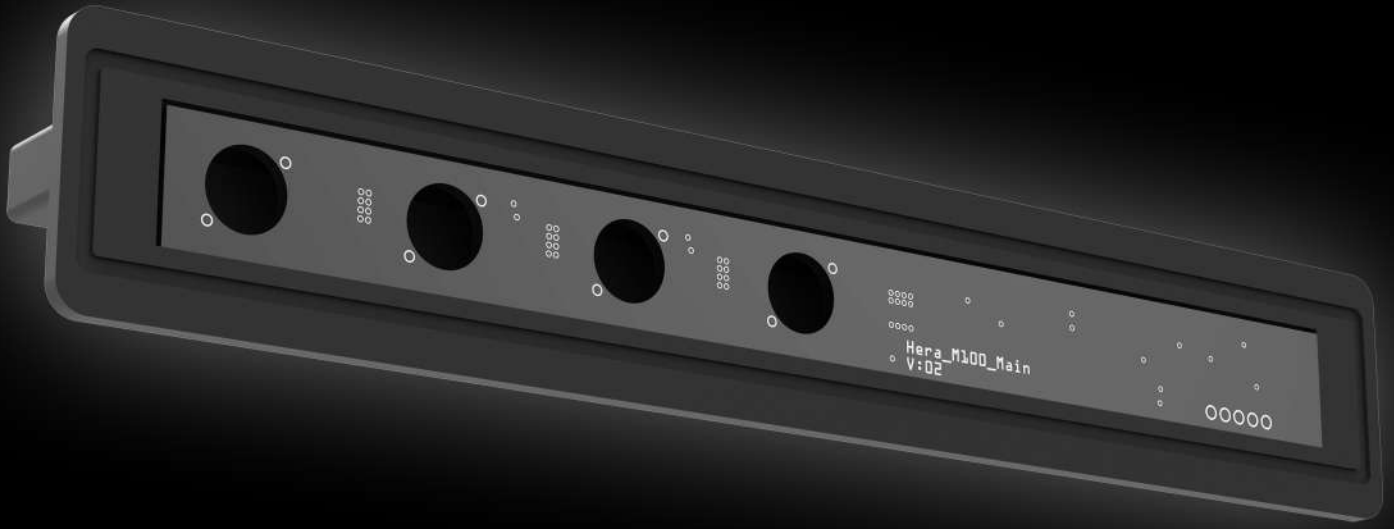
# 5. ELECTRICAL WIRING DIAGRAM





# Hera M100

## Range Hood Control Unit



Factory Address: .....

Phone: .....

Fax: .....

E-Mail: .....

Webpage: .....

Document Version: .....

Hardware Version: .....

Software Version: .....