
Factory Address:

Phone:

Fax:

E-Mail:

Webpage:

Document Version:

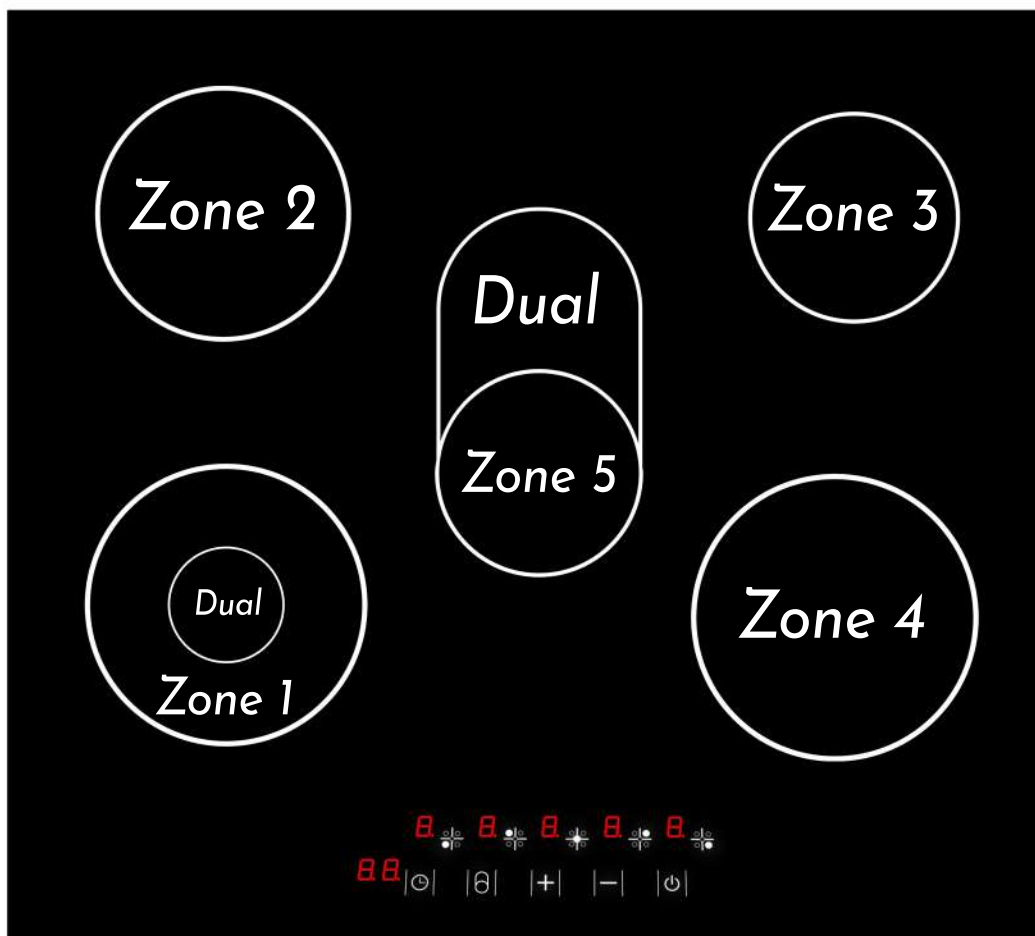
Hardware Version:

Software Version:

TABLE OF CONTENTS

1. BUTTONS AND THEIR FUNCTIONS.....	4
2. USING THE COOKER.....	5
3. DUAL ZONE FEATURE.....	6
4. TIMER FEATURE.....	6
4.1 Setting the Timer.....	6
4.2 Shower the Timer.....	7
5. CHILD SAFETY LOCK FEATURE.....	7
6. ELECTRICAL WIRING DIAGRAM.....	8
7. 3D BOARD VISUALS.....	9

1. BUTTONS AND THEIR FUNCTIONS



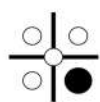
ZONE 1: Switches to the level setting of the first zone.



ZONE 2: Switches to the level setting of the second zone.



ZONE 3: Switches to the level setting of the third zone.



ZONE 4: Switches to the level setting of the fourth zone.



ZONE 5: Switches to the level setting of the fifth zone.



DUAL: Toggles the dual zone.



PLUS: Increases the level setting.



MINUS: Decreases the level setting.



TIMER: Switches to the timer setting.

2. USING THE COOKER

When powered up, the displays and LEDs of the Mina M200 cooker controller light up sequentially for a short while, emit an audible warning, then turn off.

When the "⏻" button is pressed, the indicators show "0" and the cooker is made ready for use.

By pressing the button of the zone to be opened ("●○○", "○●○", "○○●", "○●○", "●○○") the setting of that zone is started, the display corresponding to the relevant zone starts to blink.

With the "+" - "-" buttons, the zone level is brought to the desired level. To exit the zone setting, press the zone button again.





The adjusted zone will continue to operate at the desired setting by getting on and off at varying intervals according to its level.

In order to close an operating zone, the zone is adjusted by pressing the button of that zone. By pressing the "⏻" button for a short time, the zone setting is set to "0" and the zone is closed. When the "⏻" button is long pressed, all the zones and the cooker control unit are turned off.

Since the zones that have been working for a certain period of time maintain their temperature, an "H" warning is displayed on the display of the relevant zone to indicate that the zone is hot after it is closed.

The "H" warning will turn off as the zone will cool down after a while depending on the time the zone is used.


3. DUAL ZONE FEATURE


In order to activate dual in the zones with dual feature, “” button is pressed while the zone is in level setting. The dot of the display of the relevant zone lights up and its dual becomes active. To turn off the active Dual zone feature, level setting is entered by pressing the button of the relevant zone. By pressing the “” button, the dual is turned off and the dot on the display turns off.


4. TIMER FEATURE

Mina M200 cooker control unit has a general purpose cooker independent timer and one zone timer for each zone. The general timer only gives an audible warning at the end of the set time and does not affect the cooker. The zone timer, on the other hand, gives an audible warning at the end of the set time and closes the relevant zone. 5 different zone timers can be set at the same time for 5 zone.

4.1 Setting the Timer

In order to set the general timer, the “” button is pressed while the cooker is in the ready state, while not in the setting of any zone. The digits and dot of the timer display begin to flash.

With the “” - “” buttons, the timer is set to the desired time between 1 - 99 minutes.

Pressing the “” button exits the timer setting. At the end of the set time, an audible warning is given.



By pressing the button of the zone you want to open ("○|○", "●|○", "○|●", "○|○", "○|○"), the setting of that zone is changed and the zone is adjusted to the desired level with the "+ - -" buttons. While in zone setting, "⌚" button is pressed and timer is set for the relevant zone. The timer display and the LED corresponding to the zone begin to blink. The zone timer is set to the desired time between 1 - 99 minutes with the "+ - -" buttons. Pressing the "⌚" button exits the timer setting. At the end of the set time, the relevant zone is closed and an audible warning is given.

4.2 Showing the Timer

If more than one timer is set, the timer display shows the remaining time of the shortest timer. Whichever timer is displayed on the timer display, the LED of the zone timer or if it is the general timer, the dot of the display blinks.

When the "⌚" button is pressed while in ready mode, the general timer setting is changed and the general timer is displayed.

By pressing the "⌚" button again, it is possible

to toggle between the remaining times of the zone timers in clockwise order starting from

5. CHILD SAFETY LOCK FEATURE

Mina M200 has a child safety lock feature so that children do not accidentally operate the cooker. Child safety lock can be activated in two step. In first step, while in ready mode, press and hold "○|○" and "-" buttons until sound signal is given.

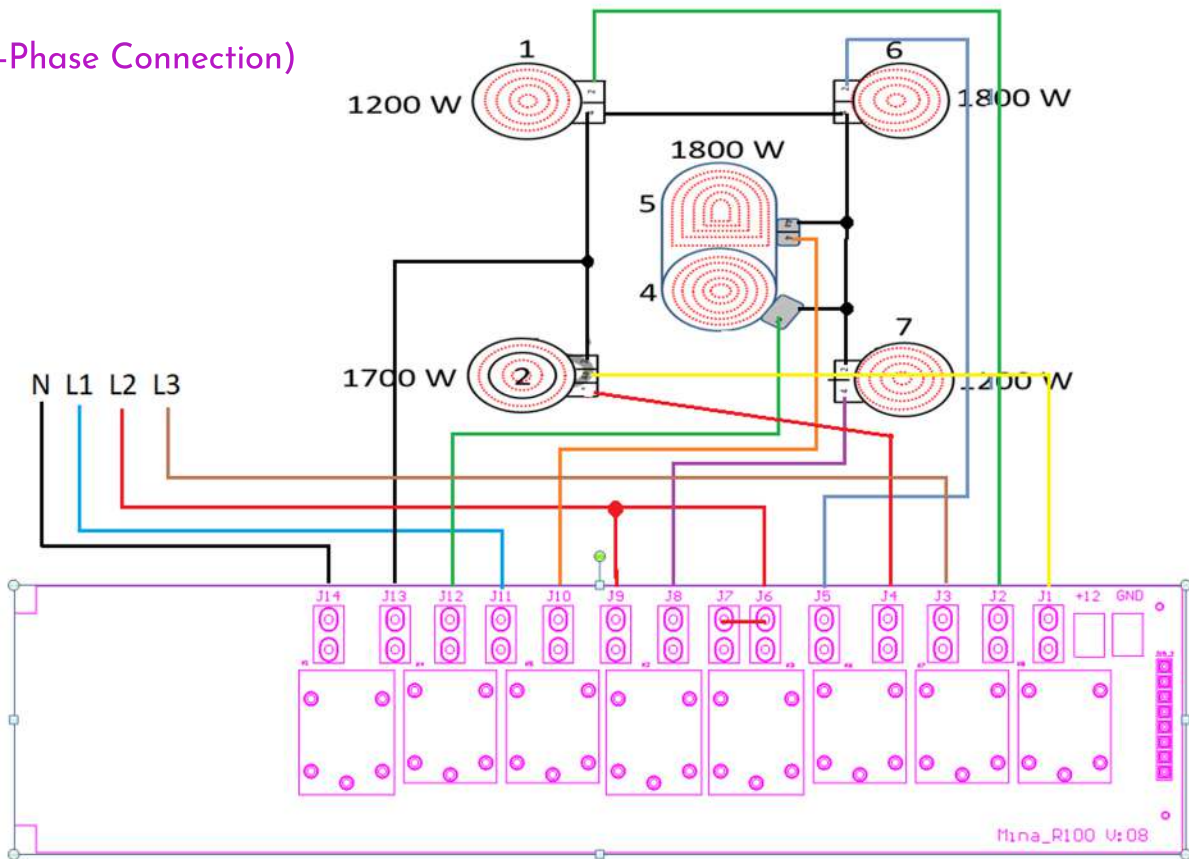
Then, press "●|○" button to activate the child safety lock.

When it is activated, cooker turns off. While child lock is activated, "L" letter is displayed on the zone level displays and cooker cannot be started. Child safety lock can be deactivated in two different manners: temporarily and permanently.

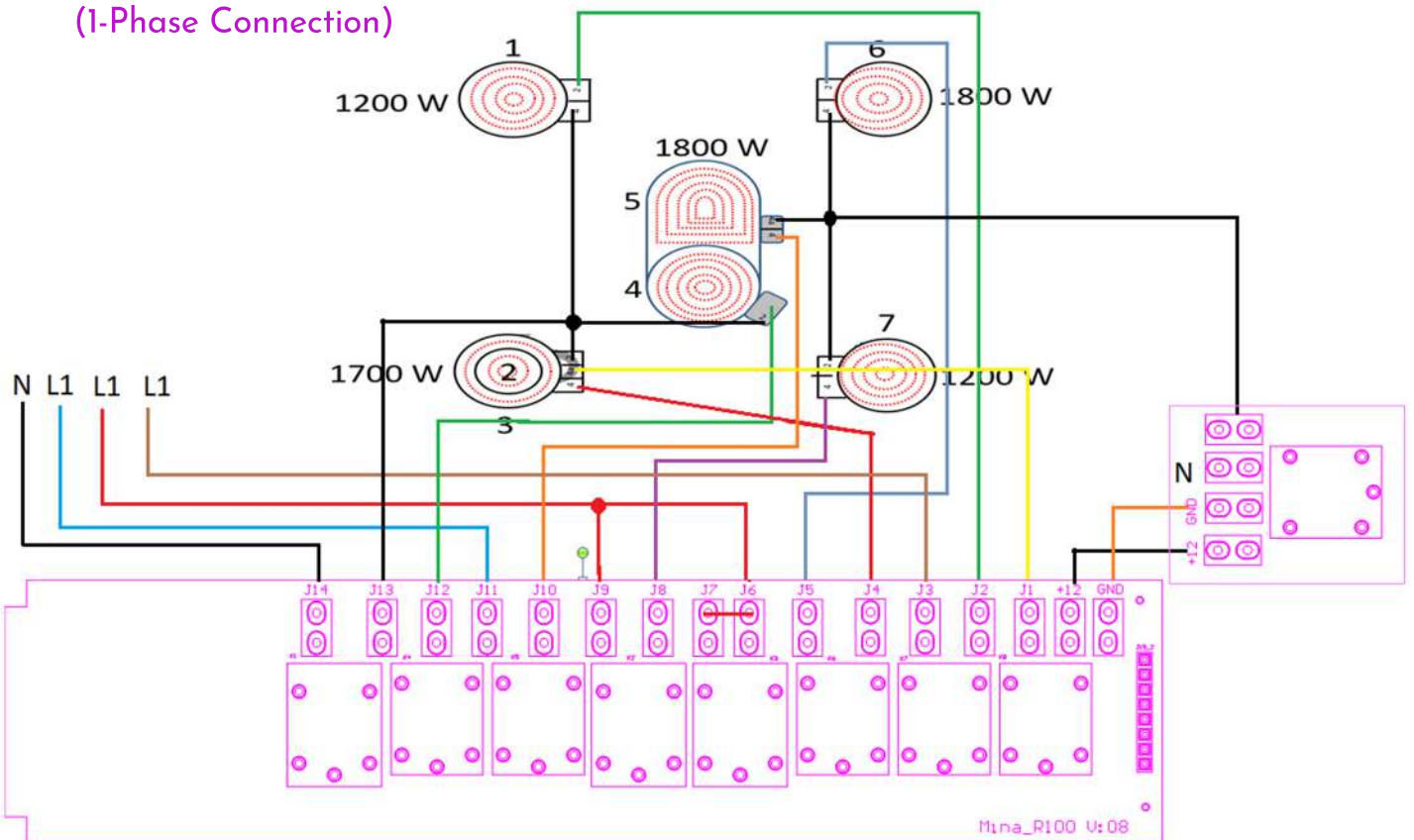
While in ready mode ("L" is displayed) and child lock activated, press and hold "○|○" and "-" buttons. The child lock deactivated temporarily, cooker is ready for use and "□" is displayed on zone displays. In this case, after cooker is turned off, child safety lock becomes activated again. To deactivate the child lock completely, right after pressing and holding "○|○" and "-" buttons, "-" button must be pressed.

6. ELECTRICAL WIRING DIAGRAM

(3-Phase Connection)



(1-Phase Connection)



7. 3D BOARD VISUALS

